

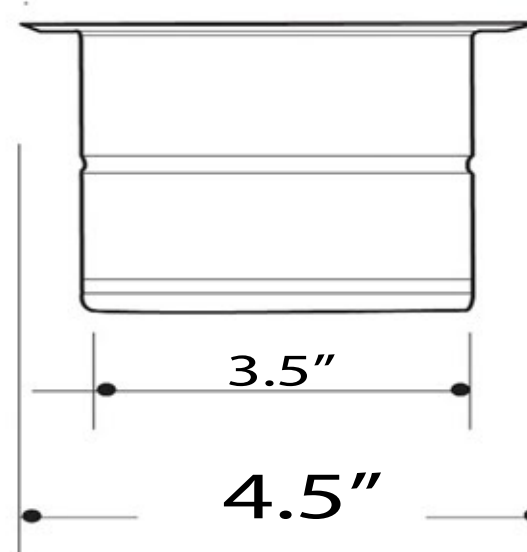
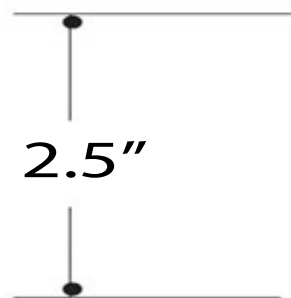
Accessories Collection

Brass garbage disposal trim/extended drain flange



MODEL:

3.5TR-PB



FEATURES

- Solid brass construction / Polished brass finish
- For use with ISE type disposal units with 3-3/8" I.D. (installation required)
- This collar is for thicker fireclay sink applications
- Extended Flange only - stopper/strainer is not included
- Diameter fits standard 3.5" kitchen sink drain openings

